

BEB231011M BI Oven



EXPECT EVEN, EVERY TIME

The golden brown on a potato gratin. The deep crust on a fillet of beef. The moist depths of a rich chocolate cake. Achieving even results time after time demands precisely controlled heat, distributed consistently throughout your oven. Unlike standard ovens, the



Cooked Evenly everywhere

With this oven, using energy efficiently also means cooking efficiently. It has a new convection system called Hot Air, which ensures hot air circulates evenly throughout the oven cavity. The result is that the oven heats up faster and cooking temperatures can be



An at-a-glance overview of the status of your dish

The timer display provides an at-a-glance overview of the status of your dish. Its clear screen enables you to set an alarm, check directly on the time remaining before your dish is ready and to adjust the timer with accuracy and precision.

More Benefits :

- Multilevel Cooking – cook dishes evenly with this oven thanks to an additional heating ring element
- The Safe to touch plus door keeps the outside of the door at a low temperature.
- Compared with standard trays, this XL Baking Tray is 20% bigger, making it possible for you to prepare even larger batches of delicious baked goods.

Features :

- Built-in oven
- Multifunctional oven with ring heating element
- Oven energy class: A
- Oven cooking functions: Bottom, Fan, Grill, Grill + top, Grill + top + fan, Light, Ring + fan
- Anti fingerprint stainless steel
- Oven cavity with 3 baking levels
- Electronic timer
- Electronic oven functions overview: Accoustic signal, Duration, End, Minute minder, Time
- Halogen oven lighting
- Extra large cavity size with 74 l net volume
- High gloss enamel oven lining, easy to clean
- ISOFRONT® cool oven door
- Easy to clean door
- Top heating element movable for easy cleaning
- Cooling fan
- Trays supplied with the oven: 1 Combi tray grey enamel
- Grids supplied with the oven: 1 Trivet chromed, 2 Wire shelves chromed
- Electric cable length: 1.6 m

Technical Specs :

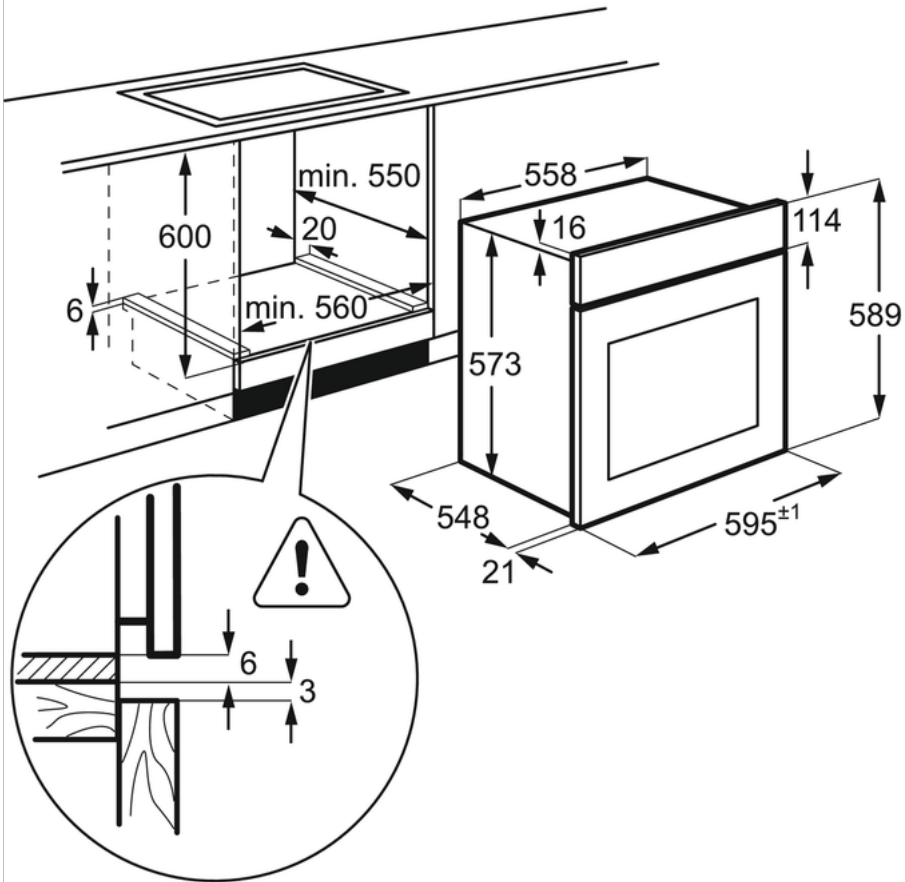
- Product Installation : Built_In
- Product Typology : BI_Oven_Electric
- Product Classification : Core
- Type : Single
- Installation : BI
- Size : 60x60
- Oven Energy : Electrical
- Cooking : Fan + Ring
- Cleaning top oven : Easy To Clean Enamel/Pinned
- N° of cavities : 1
- Design family : Mastery Range
- Main colour : Stainless steel with antifingerprint
- Control Panel material : Stainless steel with antifingerprint
- Type of doors : 3 Glasses
- Type of handle : Metal
- Door hinges : Drop Down Equilibrated, Drop Down Removable
- Drawer : No
- Control lamps : Power on, Thermostat Indicator
- Hob control : No
- Thermostat : Top
- Type of timer min. : SET-LR DS (Limiter Replacem. Double Source)
- Electronic Oven Control : SET
- Feature Electronics : Accoustic signal, Duration, End, Minute minder, Time
- Cooking function top oven : Bottom, Fan, Grill, Grill + top, Grill + top + fan, Light, Ring + fan
- Height total : 589
- Width mm : 594
- Depth mm : 569
- Built in depth mm : 550
- Built in height mm : 600
- Built in width mm : 560
- Frequency : 50/60
- Voltage : 220-240
- Required fuse (A) : 16
- Cord length external : 1.6

Product Description :

AEG949 716 542

BEB231011M BI Oven

PSGBOV170DE0000V



PSGBOV170DE0000U

